

Kit Contents

Power Cable



I/O Cable



Relay & Socket

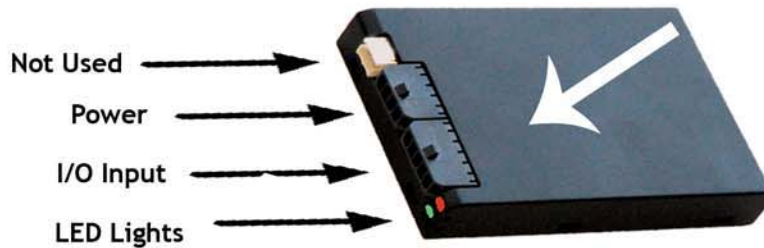


Stealth



Unit Overview

GPS Side (faces up toward the sky). Sticker side faces down. Do not glue the top of the unit directly to the under-dash.



This side faces toward the sky in the dash.

The serial number/barcode faces down in the dash

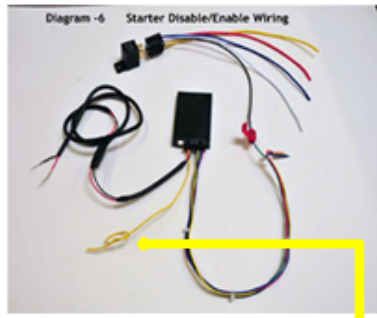
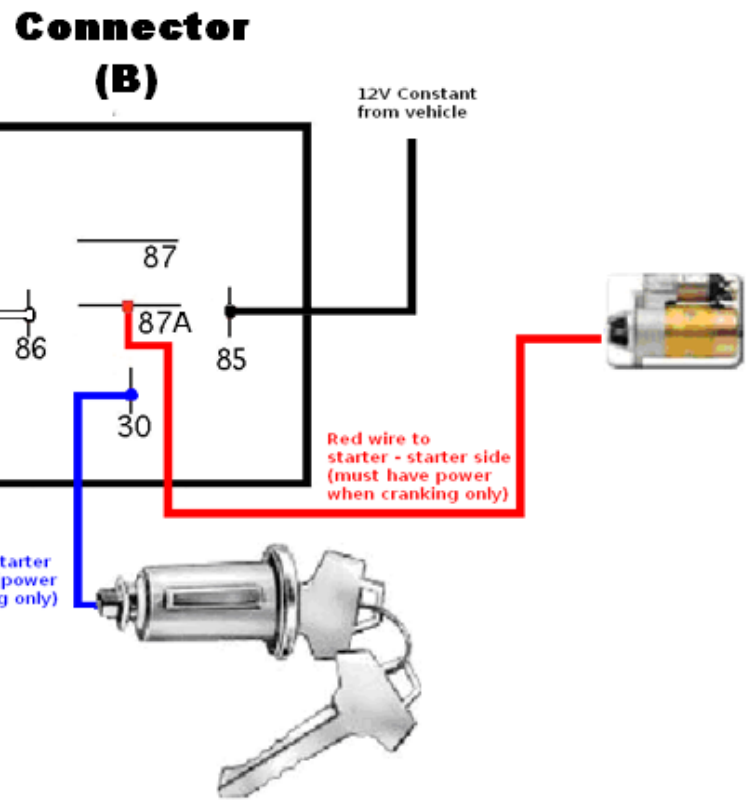
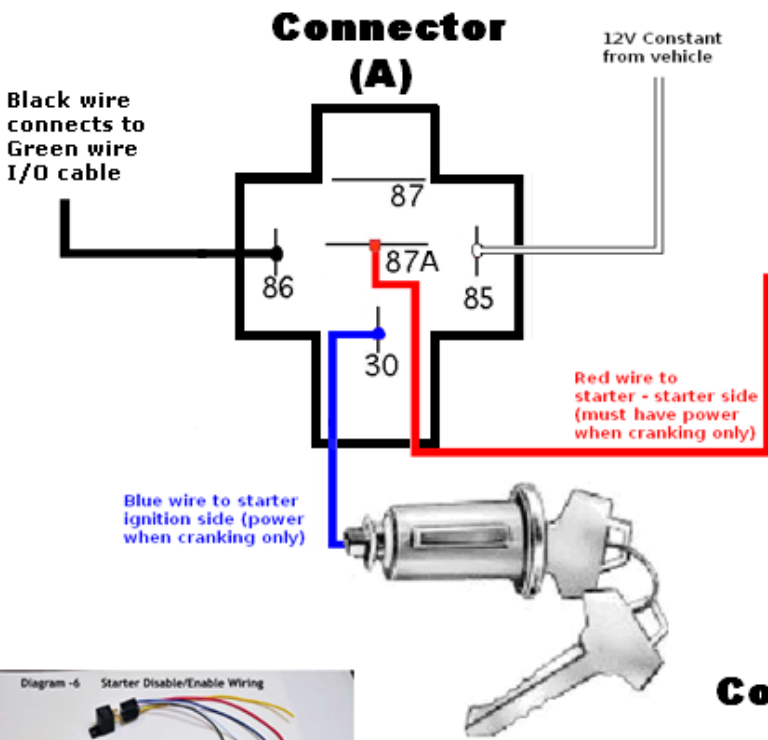
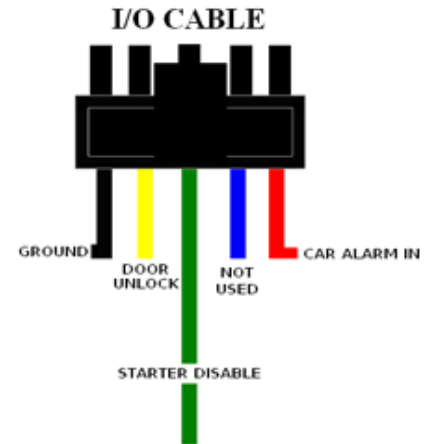
Determine a suitable mounting location under the top dashpad for the Stealth. Ideal locations are directly under the dashpad skin, above the glove box, or above the gauge cluster. Do not glue the top of the Stealth directly to the bottom of the dashpad.

Recommended
Installation
placement



SHOWING PLUGGED INTO THE DEVICE

Note: make sure you identify the correct type of connector (A or B) before installation.



Relay Note:

- 85 = 12V Constant
- 86 = I/O Cable

Device Override Note:

Connect yellow wire from devices power cable to the vehicle's IGNITION wire that ONLY has power at key-ON and crank.

Note: Wires 87A and 30 of the relay connect to each side of the STARTER wire once spliced.

Locate the STARTER wire (the starter wire only has power when vehicle started). The STARTER wire must be spliced in two parts, the ignition side (30) and the starter side (87A).